

HPR SUS KIT 122 User Manual

This suspension kit is required for horizontal suspension of the QSC HPR122i from a solid structure or for the vertical suspension of the QSC HPR122i, HPR152i or HPR153i from a solid structure.

- Contents:**
- Bar, pull-back, black, PB122i, 1 each
 - Gasket, adhesive-backed, 2 each
 - Eyebolt, M10, steel, 3 each
 - Screw, buttonhead, hex drive, M10-1.5x45mm, 1 each
 - Spacer, aluminum, 2 each
 - Spring washer, conical, M10, steel, 2 each
 - Hex nut, M10-1.5, steel, 1 each
 - Lock washer, spring, M10, steel, 2 each
 - Flat washer, M10, steel, 2 each

Important Safety Precautions & Explanation of Symbols

Install in accordance with QSC Audio Product's instructions and under the supervision of a licensed Professional Engineer.

WARNING! The exclamation point within an equilateral triangle is intended to alert the user to the presence of important operating and maintenance (servicing) instructions in this manual.



•Before placing, installing, rigging, or suspending any speaker product, inspect all hardware, suspension, enclosures, transducers, brackets and associated equipment for damage. Any missing, corroded, deformed, or non-load rated component could significantly reduce the strength of the installation or placement. Any such condition severely reduces the safety of the installation and should be immediately corrected. Use only hardware which is rated for the loading conditions of the installation and any possible short-term, unexpected overloading. Never exceed the rating of the hardware or equipment.

•Consult a licensed, Professional Engineer regarding physical equipment installation. All local, state and national regulations regarding the safety and operation of equipment are understood and adhered to.

•Use only load rated hardware to attach to the eyebolts or pull-back bar when suspending these products.

•Do not suspend these products from any structural element on the enclosure other than the load rated M10 suspension points.

•Do not suspend the HPR152i or HPR153i horizontally under any circumstances using this or any other hardware.

Vertical Suspension of the HPR122i

Install Two Top-surface Eyebolts

1- Remove the factory installed M10 flat-head screws from the top of the enclosure using a 6mm hex wrench.

2- Thread an eyebolt into each of the enclosure's threaded inserts; do not use flat washers or standoffs on the top eyebolts. Tighten eyebolts.

Install One Pull-back Eyebolt

At the rear of the enclosure, just below the amplifier module, is a M10 flat-head screw which must be removed and have an eyebolt installed in its place (6mm hex wrench needed).

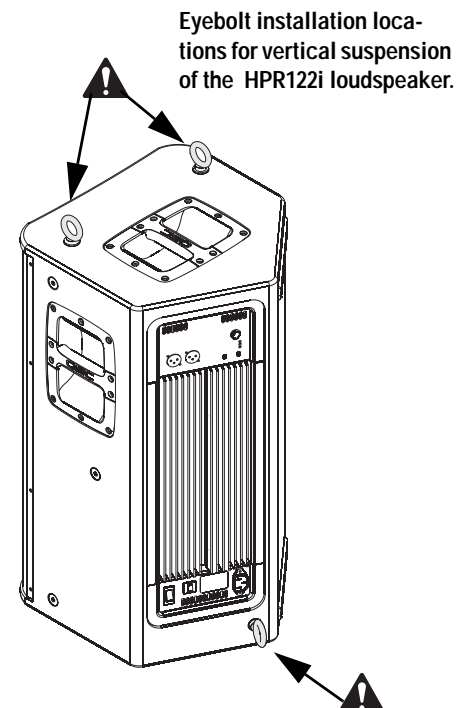
1- Remove the factory installed M10 flat-head screw from the enclosure using a 6mm hex wrench.

2- Thread an eyebolt into the enclosure's threaded insert; do not use a flat washer or standoff on the pull-back eyebolt. Tighten eyebolt.



•Do not use the eyebolt standoffs, flat washers, or pull-back bar when suspending the HPR122i loudspeaker vertically.

•Note! Be sure to tighten each eyebolt until shoulder is snug against the enclosure. Tighten the eyebolts down and then continue to rotate until they are positioned as desired.



Vertical Suspension of the HPR152i and HPR153i loudspeakers

Install Two Top Surface Eyebolts

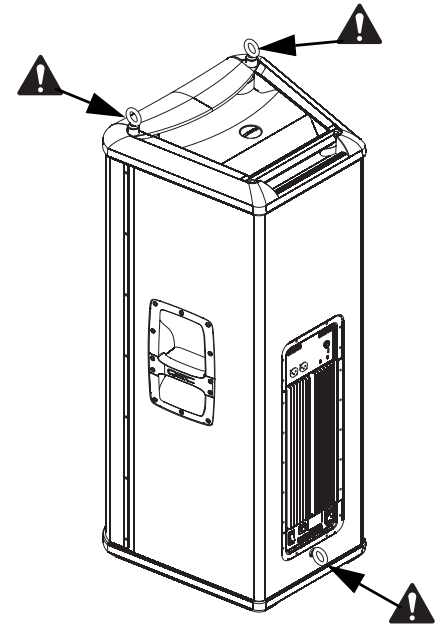
1- On the top front corners of the enclosure, locate the rubber inserts which protect the enclosure's threads. Remove the rubber inserts.

2- Place one conical spring washer and one eyebolt standoff onto the threaded portion of an eyebolt and carefully thread the eyebolt assembly into the enclosure's threads. Repeat for remaining front, top corner.



•**Note!** Be sure to tighten each eyebolt until shoulder is snug against the spring washer and each eyebolt standoff is snug against the enclosure. Tighten the eyebolts down and then continue to rotate until they are positioned as desired.

Eyebolt installation locations for HPR152i and HPR153i loudspeakers.



Install One Pull-back Eyebolt

At the rear of the enclosures, just below the amplifier module is a M10 flat-head screw which must be removed and have an eyebolt installed in its place (6mm hex wrench needed).

1- Remove the factory installed bolt using a 6mm hex wrench.

2- Thread an eyebolt into the enclosure's threaded insert; do not use a flat washer or an eyebolt standoff on the pull-back eyebolt.

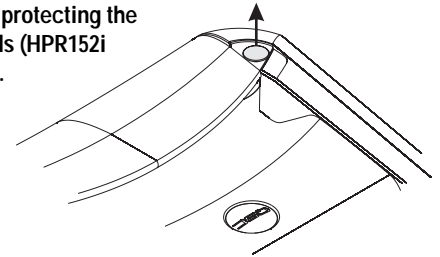


•**Note!** Be sure to tighten bolt until shoulder is snug against the side of the enclosure. Tighten the eyebolt down and then continue to rotate until it is positioned as desired.

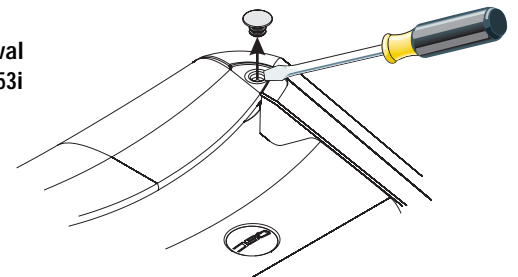


•**Do not** suspend the HPR152i or HPR153i loudspeaker horizontally under any conditions! The HPR152i and HPR153i loudspeakers are designed for vertical suspension only!

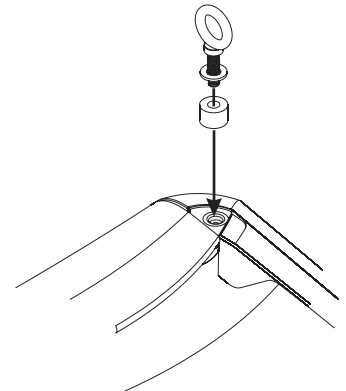
Before installing the eyebolts, remove the rubber inserts protecting the enclosure's threads (HPR152i and HPR153i only).



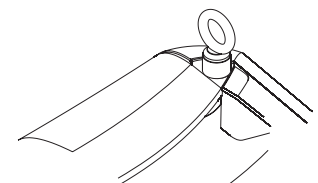
Rubber insert removal (HPR152i and HPR153i only); gently pry upward to loosen insert.



Eyebolt standoff installation, HPR152i, HPR153i.



Installed eyebolt.



Horizontal Suspension of the HPR122i

The pull-back bar must be installed when suspending the HPR122i in a horizontal position. Additionally, the eyebolts must be installed in the side panel locations that will be the "top" of the enclosure. Note that the HPR122i can be suspended horizontally with the high frequency device on the right side or the left.

Pull-back bar below (preferred)

The preferred installation location for the pull-back bar is on the bottom of the horizontally oriented enclosure (opposite the eyebolt side). This location yields the maximum range of tilt.

Pull-back bar above (alternate)

Alternately, the pull-back bar can be installed on the top of the enclosure (same side of the enclosure as the eyebolts). This may help to hide the hardware from sight for appearance reasons, but the range of tilt is limited.

Install the Pull-back Bar

The pull-back bar must only be attached to one of the two side M10 installation locations, as shown.

- 1- Remove the factory installed M10 flat-head screw from the side of the enclosure to which the pull-back bar is to be attached.
- 2- Test fit the pull-back bar, attachment, washers, and gaskets to ensure proper assembly prior to sticking self-adhesive gasket to pull-back bar.
- 3- Attach the rubber gasket by peeling adhesive backing off and pressing adhesive side to the pull-back bar where it contacts the enclosure.
- 4- Using a 6mm hex wrench, bolt the pull-back bar to the enclosure with the M10 button-head bolt, lock washer, and flat washer. Before tightening fully, ensure the pull-back bar's cut-out matches the curved corner of the enclosure (switch orientation if required). Tighten button-head bolt.
- 5- Attach the eyebolt to the pull-back bar with hex nut, lock washer, and flat washer. Tighten.

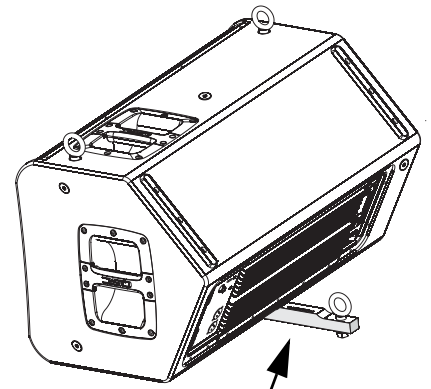
Install Two Top-surface Eyebolts

- 1- Remove the factory installed M10 flat-head screws from the top surface of the enclosure using a 6mm hex wrench.
- 2- Thread an eyebolt into each the enclosure's threaded inserts; do not use flat washers or standoffs on the top eyebolts. Tighten eyebolts.

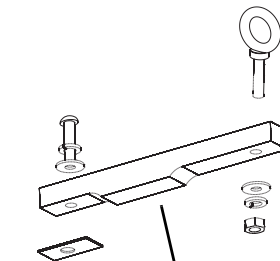
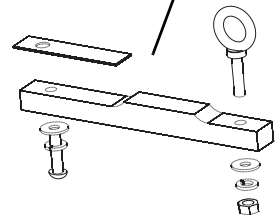
•Note! Be sure to tighten each eyebolt bolt until shoulder is snug against the side of the enclosure. Tighten each eyebolt down and then continue to rotate until it is positioned as desired.



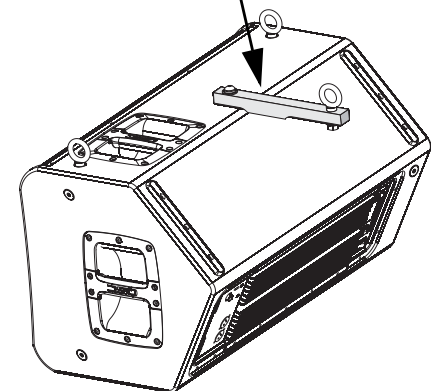
Installation of pull-back bar below the enclosure (preferred).



Pull-back bar assembly- Note location of offset cut-out on bar and orient to enclosure shape according to which side it is mounted on. Adhesive gasket is to be used between the bar and the enclosure. Ensure use of flat and lock washers in order shown. Tighten all hardware.



Installation of pull-back bar above the enclosure.



Warranty (USA only; other countries, see your dealer or distributor)

Disclaimer

QSC Audio Products, Inc. is not liable for any damage to amplifiers or any other equipment that is caused by negligence or improper installation and/or use of this loudspeaker product.

QSC Audio Products 3 Year Limited Warranty

QSC Audio Products, Inc. ("QSC") guarantees its products to be free from defective material and / or workmanship for a period of three (3) years from date of sale, and will replace defective parts and repair malfunctioning products under this warranty when the defect occurs under normal installation and use - provided the unit is returned to our factory or one of our authorized service stations via prepaid transportation with a copy of proof of purchase (i.e., sales receipt). This warranty provides that the examination of the return product must indicate, in our judgment, a manufacturing defect. This warranty does not extend to any product which has been subjected to misuse, neglect, accident, improper installation, or where the date code has been removed or defaced. QSC shall not be liable for incidental and/or consequential damages. This warranty gives you specific legal rights. This limited warranty is freely transferable during the term of the warranty period.

Customer may have additional rights, which vary from state to state.

In the event that this product was manufactured for export and sale outside of the United States or its territories, then this limited warranty shall not apply. Removal of the serial number on this product, or purchase of this product from an unauthorized dealer, will void this limited warranty.

Periodically, this warranty is updated. To obtain the most recent version of QSC's warranty statement, please visit www.qscaudio.com.

Contact us at 800-854-4079 or visit our website at www.qscaudio.com
1675 MacArthur Blvd., Costa Mesa, CA, 92626 USA
Main Number (714) 754-6175 or toll free (USA only) (800) 854-4079
Customer Service(714) 957-7150 or toll free (USA only) (800) 772-2834



© Copyright 2007, QSC Audio Products, Inc.
QSC® is a registered trademark of QSC Audio Products, Inc.
"QSC" and the QSC logo are registered with the U.S. Patent and Trademark Office
All trademarks are the property of their respective owners.

TD-000248-00

TD-000248-00 revA